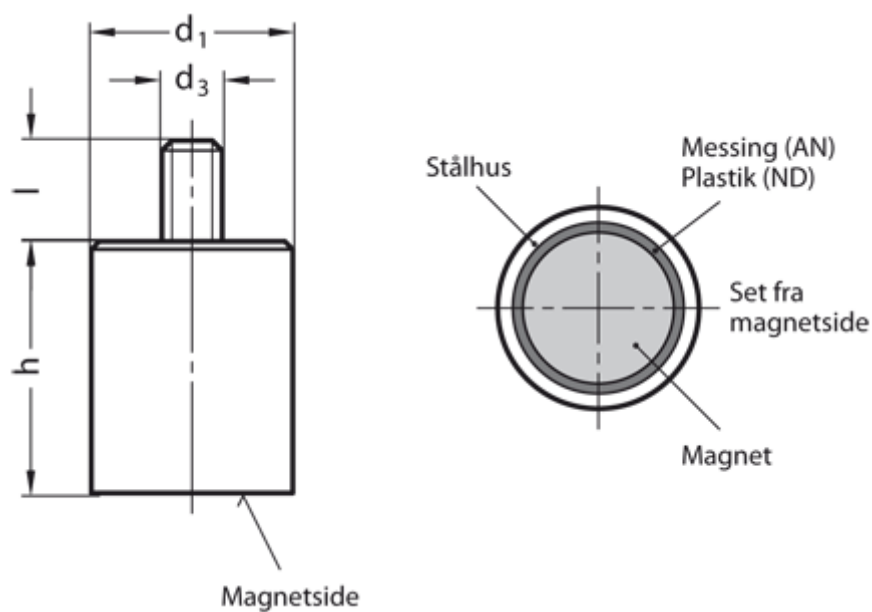


Article number: 201241442

Description: E+G Retaining magnets with threaded stud GN 52.4-AN-32-M8-E  
Alu, Nickel, Cobalt - 450° C, 160N

## Measures



d1 = 32

d3 = M8

h = 40 ±0,2

Holding force N = 160.0

l = 12

Material = AN Alu, nickel, cobalt, 450°C